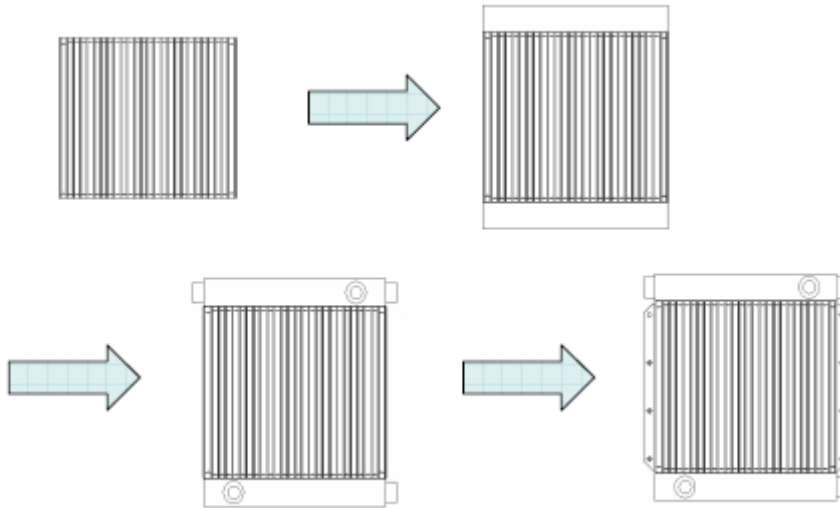


Standard express cooler

Within 5 working days NRF can now ship complete coolers made to our customers design specification within a framework of choices.

In contrary to our remanufacturing shop for the “**standard express cooler**” you have to choose within a limited number of options. This guarantees you a custom product with a very short leadtime of 5 days. A cooler outside the choices in this form will, depending of its complexity, have a longer leadtime for result.



From core to complete cooler in 4 steps.

This cooler is used for cooling:

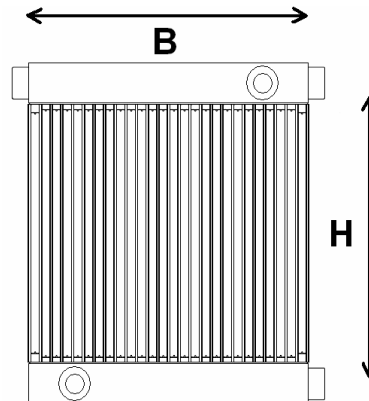
- Water
- Oil
- Air

1. Indicate core dimensions (in mm)

-Height.....

-Width.....

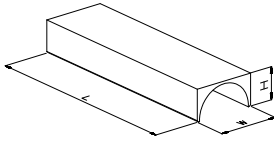
-Core thickness.....



Available core thicknesses for Water and Oil: **50, 62, 97, 114, 144mm**

Available core thickness for Air: **97mm**

2. Mounted tanks are made from Heavy Duty extrusion profile with half round inner, and are closed with welded endplates.



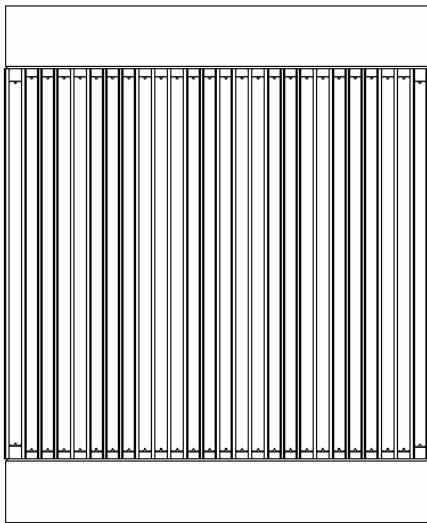
3. Choose the needed connections and their positioning:

See attached list of available connections

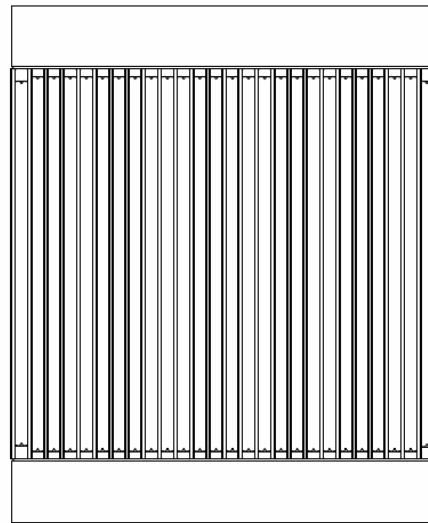
Define the positioning of the needed connections carefully, dimensioning is from left side of the cooler to the centre of the connection.

For example: -Connection 0 is type M22x1,5 09405514 and mounted on the front bottom tank 80mm from the left side. (PLEASE INDICATE POSITIONING ALSO IN THE DRAWINGS BELOW)

- Connection 1.....
- Connection 2.....
- Connection 3.....
- Connection 4.....
- Connection 5.....
- Connection 6.....



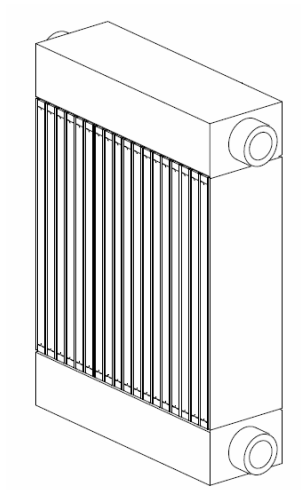
FRONT



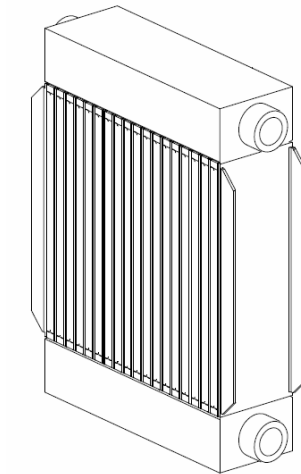
BACK

4. Determine sideplate type:

-Flat Aluminium plate (standard) **O**



-U-profile: **O**



NOTES:



more than cooling parts

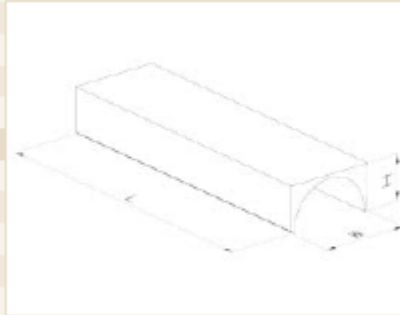
Tank profiles:

Heavy Duty extrusion tank profile

- High pressure resistant • Extremely solid construction
- Ideal for mounting brackets and fixtures

Core depth	NRF #	Profile W x H	Endplate
50mm	13090201 *	50 x 50	04623101
62mm	13090202 *	62 x 60	04623201
97mm	13090203 *	97 x 70	04623301
114mm	13090204 *	114 x 70	04624501
144mm	13090205 *	144 x 75	04624601

* Indicates length in mm



Standard connections:

Hose connection Ø	Outer Ø (D)	Wall thickness (T)	Length (L)	NRF part #
HOSE 20	20	2,0	per your request	12092020
HOSE 25	25	1,5	per your request	12092515
HOSE 28	28	1,5	per your request	12092815
HOSE 32	32	1,5	per your request	12093215
HOSE 35	35	3,0	per your request	12093530
HOSE 40	40	2,0	per your request	12094020
HOSE 60	60	3,0	per your request	12096030
HOSE 75	75	2,0	per your request	12097520
HOSE 100	100	3,0	per your request	12091003



Inner thread	Outer Ø (D)	Length (L)	NRF part #
3/8"BSP	25	30	09404214
1/2"BSP	30	35	09404114
3/4"BSP	35	40	09404014
1"BSP	40	45	09403914
1 1/4"BSP	50	50	09403814
1 1/2"BSP	55	55	09403714
1 1/2"BSP	55	80	09405114
M22 x 1.5	35	30	09405514



Outer thread	Outer Ø	Thread length	Total length	NRF part #
1 1/4"BSP	43	25	65	09402914
2"BSP	60	30	50	09404414

