

NRF COMPRESSOR RANGE

VARIOUS OEM BRANDS FOR V.A.G.-APPLICATIONS >

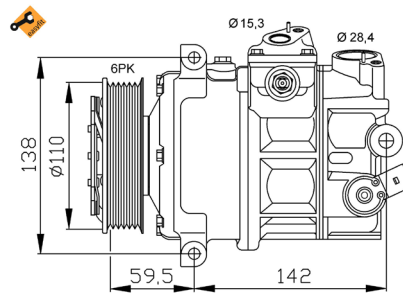
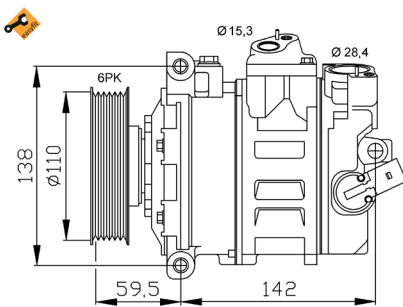
The Volkswagen Group (Volkswagen, Audi, Skoda, Seat) assembles compressors from different OE suppliers for the same vehicle models. V.A.G. vehicles can originally be equipped with a Denso, Sanden, Delphi (now Mahle) or Valeo/Zexel compressor. The reason for this is that Volkswagen wants to spread risk, in case a supplier is unable to deliver. All these different compressor models are interchangeable without any problem.

NRF offers both OE and aftermarket compressors. When searching a compressor for a V.A.G. application, it can happen that your search result shows several compressor references. Although, these compressors have identical specifications and dimensions and are all suitable for that specific application.

Example of compressors with identical specifications:

NRF # 32146 (DENSO-EQUIVALENT)

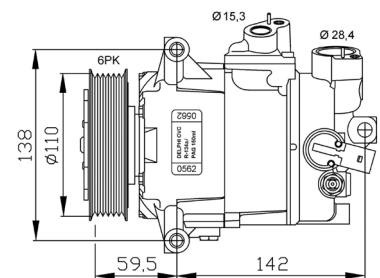
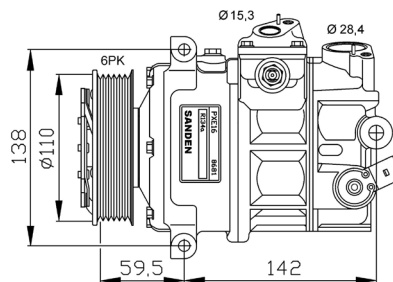
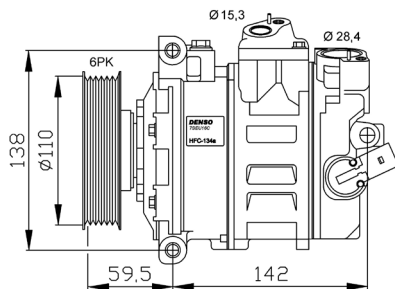
NRF # 32147 (SANDEN-EQUIVALENT)



NRF # 32146G (DENSO)

NRF # 32147G (SANDEN)

NRF # 32500G (DELPHI)



Note: Product number +G shows that the compressor is Genuine (= OE brand)

Easy Fit >

When a product comes as Easy Fit, you are ensured of a correct and efficient installation, because all assembly parts (such as O-rings, adapters, clamps and clips) are delivered together with the NRF product. When choosing a compressor, pay attention to the Easy Fit logo. Not all NRF products are delivered as Easy Fit.

